

Smart Transmitter UHP05T SmartNET®

FOR LARGE INDUSTRIAL APPLICATION, NPC, TPC, HPC, POWER DISTRIBUTION, COMMUNICATIONS AND OTHER.

UHP05T SmartNET® is Smart Transmitter, designed for precise measurements. It can be program to work with TC, Pt100, Analog 4-20 (0-20) mA. SCADA compatible.

Inputs

UHP05T has one adjustable 24 bits ADC Input.

Outputs

UHP05T has up to four 16 bits DAC Outputs 4-20 (0-20) mA.

UHP05T SmartNET® Configuration

Manually - by hardware tool or by Configuration Software.

External Monitoring Software.

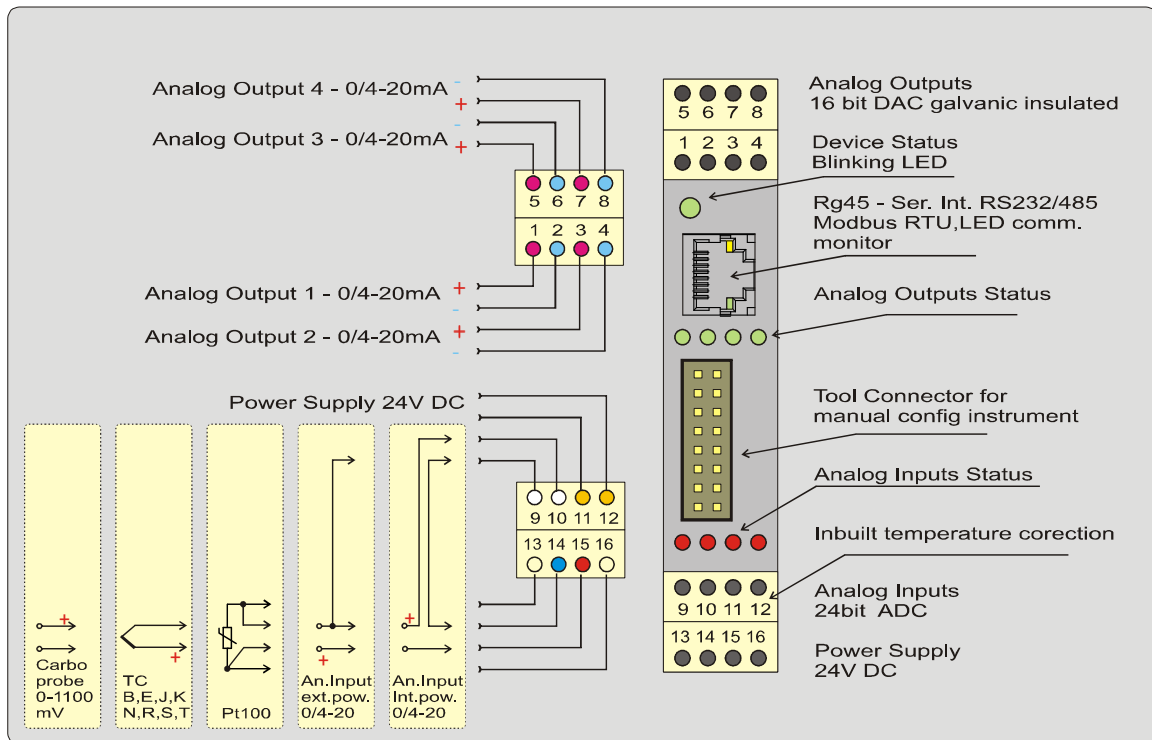
Any SCADA Software supported Modbus RTU Protocol.
Sigmatron's SmartNET® Monitoring Software.

Power Supply

UHP05T is external powered 24 DC.

Communications

Data transfer used serial port RS232, RS485, located on front panel by RJ45 connectors. Smart Transmitter UHP05T SmartNET® supports Modbus RTU protocol. Max speed of communications is 38 400, adjustable by Configuration Software. Max addresses are 254. Prohibited address for use is 255. Max lengt of communication line is 1200 m. It's possible to reach a longer distance by Sigmatron's repiter RPT485.



SPECIFICATIONS

INPUT

- Current – 0 -20 mA, 4 – 20 mA
- TC – B, F, J, K, N, R, S, T
- Pt100
- Carboprobe – 0 -1100 mV

FUNCTIONS

- Conversion 4-20 to 0 – 20 mA
- Conversion 0-20 to 4 – 20 mA
- Input Signal Revers 4 – 20 to 20 – 4 mA
- Input Signal Revers 0 – 20 to 20 – 0 mA
- Temperature correction TC
- Output duplicate - up to four Outputs

ACCURANCY

- TC – < 0.02%
- Pt 100 – < 0.02%
- Analog Current – < 0.02%
- Analog Voltage – < 0.02%

DISPLAY

- LED for General status

- LED's for type of Analog Input
- LED's for Analog Outputs
- LED's for Communication status

COMMUNICATION

Serial Modbus RTU

- Slave
- RS-232/485
- Communication speed Up to 38400

EXTERNAL CONFIG SOFTWARE

- Automatic Auto Scan mode
- Configuration tools
- Print options for configurations
- Safe options for configurations
- Device Measurement Monitoring
- Device Calibrating Tool

CONNECTIONS

Input/Output Terminals

- Terminal block 2.5 mm²
- Pluggable

Communication Port

- Connector RJ 45
- Serial RS232/485

POWER SUPPLY

- 24 V DC

MECHANICAL

Mounting

- DIN Rail Mounting
- Absolute Size Dimension 22 x 120 x 114.

Weight

- 0.4 kg

ENVIRONMENT

Operating Temperature Range:

- -20 to +60°C

Humidity:

- 0 - 90% RH without condense

Customer support:
1113 Sofia, Bulgaria
20A "Al. von Humboldt" Str.
Phone/Fax ++359 2 870 8359
office@sigmatron.bg
www.sigmatron.bg

Member of **BULATOME**
ISO 9001:2000 Certified