



L124 MultiCom

ANNUNCIATOR MODULE

SIGMATRON
ANNUNCIATOR MODULES AND SYSTEMS

L124 MultiCom



24 Channel Annunciator modules

Annunciator module L124 MultiCom is last generation device for registration of events, intended to keep attention of the engineering staff in to control room. In case of out of range of the technological process annunciator module activate blinking lightings at one of the 24 windows and activate external audible device. L124 has 3 versions:

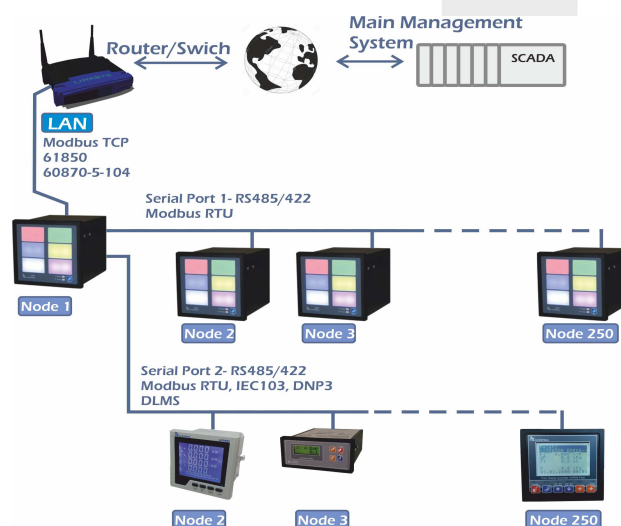
- L124 MultiCom 00 - Serial port 485/422, Protocol Modbus RTU.
- L124 MultiCom 01 - WjFi Router +2xLAN Port Client /Server up to32 clients. Serial port 485/422, The Communication protocols are Modbus RTU and Modbus TCP.
- L124 MultiCom 02 – RTU – 2x Serial Ports 485/422 , LAN. Protocols: Modbus RTU, Modbus TCP, 61850, IEC103,104, DNP3, DLMS, SNTP. Up to 3000 process points. KEMA certificate for RTU Core 61850. USB to Serial converter.

The Annunciator module is compatible with SCADA systems. The Configuration settings of the L124 are accessible by software configuration tool. Follow the link [L124 MultiCom](#) to down load Atool.

Specifications:

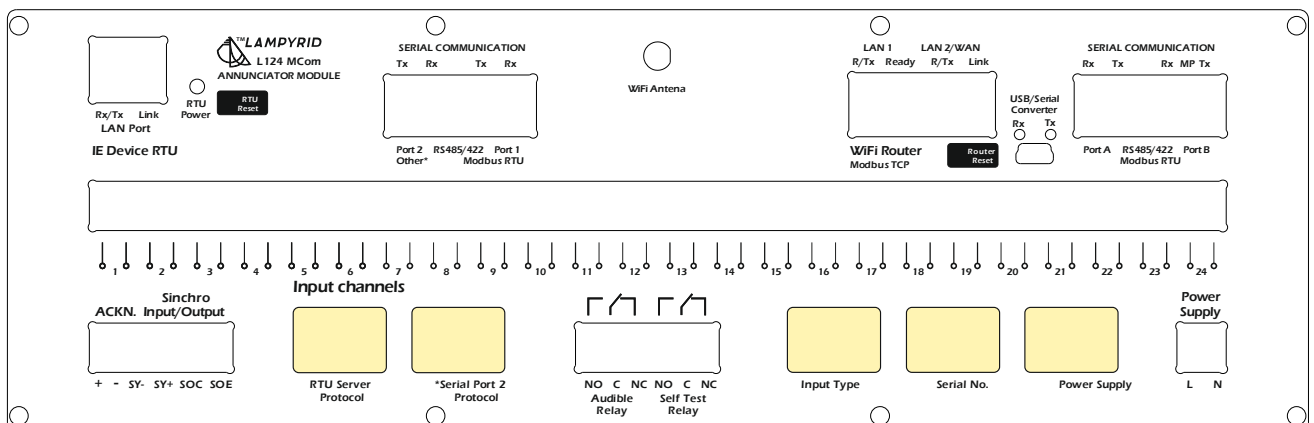
Inputs	6 Working Input 12 - 220 V AC/DC, 24V, No potential Acknowledge Input 12 - 220 V AC/DC, 24V, No potential.
Output Window	RGB LED – 26 adjustable colors
Serial port	1 to 2xRJ45 - RS485/422
LAN ports	1 x LAN up to 10 clients + 2 x Serial RS485/422 1 x WiFi router+2xLAN, Up to 32 clients
Protocols	Modbus RTU, Modbus TCP, 61850, IEC103,104, DNP3, DLMS, SNTP
Process points	for 61850 up to 800. For other protocols up to 3000
Relay Outputs	2 x250V6A AC
Dimension	96x288x85
Power Supply	85 - 265 V AC/DC, (Option 24 V)

ANNUNCIATORS AND ANNUNCIATOR SYSTEMS



TECHNICAL CHARACTERISTICS

Inputs	24 - non polarity + acknowledge.
Input Types*	potential N.O./N.C. 10 -265 V AC/DC Non potential N.O./N.C. – internal power supply 24V DC
Delay	10 – 1000 mS, for DC 50-1000 mS за AC
Recognizing input signal - true or false	Software algorithm
ESD protection	Yes, 8-20 μS
Non limited voltage protection	threshold transil
Non sensitivity threshold	< 130 V
acknowledge / Test input	potential N.O./N.C. 10 -265 V AC/DC Non potential N.O./N.C. – internal power supply 24V DC
Acknowledge buton	on the front panel
Terminal blocks	2.5 mm ² – male/fimale
Relay output	2 x 8A/250 V AC, 1.1A/220V DC
Lighting windows	24 - LED RGB
Size	20 x 30 mm (600mm ²)
Colors	26
Serial ports	RS 485/422
LAN ports	RSE – 1, RSWEE - 2
Conectors	Serial ports - 2 x RJ45, LAN – 1 или 2 x RJ45
Communication protocoles	Modbus RTU / Slave, Modbus TCP Client/Server, 61850, 60870-5-103/104, DNP3, Sntp
Power supply	85-265V AC/DC or 24/36 V AC/DC
Consumption	30 VA
Working temperature	- 20 ÷ 55 °C
Температура на съхранение	- 30 ÷ 80 °C
Humidity	0 ÷ 90 % without condence
Dimension	DIN – 96 x 288 x 85 mm
Mounting hole	92x280 mm
Fixing	clamps
Case material	PC
Protection	IP45 front panel side.



STANDARDS

EMS	EN 61326, EN 61000-4-2, EN 61000-4-4, EN 61000-4-5, EN 61000-4-6, EN 61000-4-11
Safety	EN 60950(:2000) :2002
Communication	ISO/IEC 8482, ANSI/TIA/EIA-422-B, Modbus RTU, Modbus TCP, 61850, 60870
SMT	ECSS-Q-ST-70-38C (2008). High-reliability soldering for surface-mount and mixed technology.
Mechanical	IEC 61554
Fire safety	UL94 V0